

**MINIMUM FASTENER PENETRATIONS AT THE DECK
(STANDARD ATTACHMENT):**

Deck Type:	Penetration Depth:	Fastener Type:
Plywood or Oriented Strand Board:	1/2" completely through deck	IB HD #14 or IB XHD #15
1" Minimum Wood Plank:	1" into deck	IB HD #14 or IB XHD #15
Steel:	3/4" completely through top flute	IB HD #14 or IB XHD #15
Light Weight Insulating Concrete over Steel Deck:	3/4" completely through top flute	IB HD #14 or IB XHD #15
Light Weight Insulating Concrete:	1-1/2" into deck	Deklite
Structural Concrete:	1-1/4" into deck	Dekspike
Poured Gypsum:	1-1/2" into deck	Deklite
Cementitious Wood Fiber:	1-1/2" into deck	Deklite

IB Standard Pull-Test Values for Fasteners	
7/16" OSB	275 lbs
5/8" OSB	350 lbs
1/2" Plywood	425 lbs
1" Minimum Wood Plank	450 lbs
22 ga. Steel	525 lbs
24 ga. Steel	425 lbs
Structural Concrete	800 lbs
LWIC over 24 ga. Steel	425 lbs
Poured Gypsum	300 lbs
Cementitious Wood Fiber	300 lbs

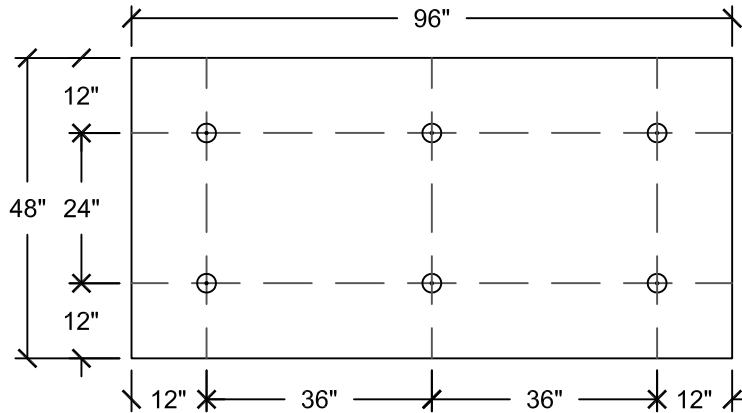
Scale:
NTS

Detail Name:
Inseam Attachment for Mechanically Attached Membrane

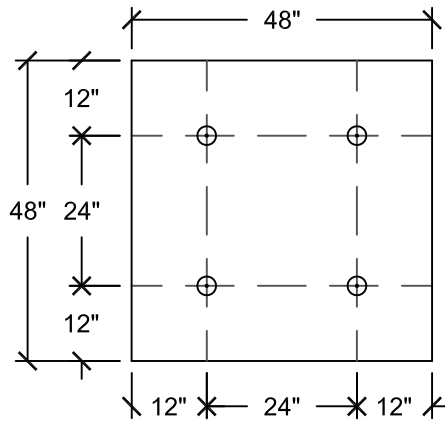
Detail Number:
MA-AT-01

Submitted By:
Address:
Telephone:

Project:
Address:



APPROVED RIGID EPS, XPS, POLYISOCYANURATE INSULATION & COVER BOARD
(IB FASTENERS & 3" INSULATION PLATES: 6 PER 4' X 8' BOARD)

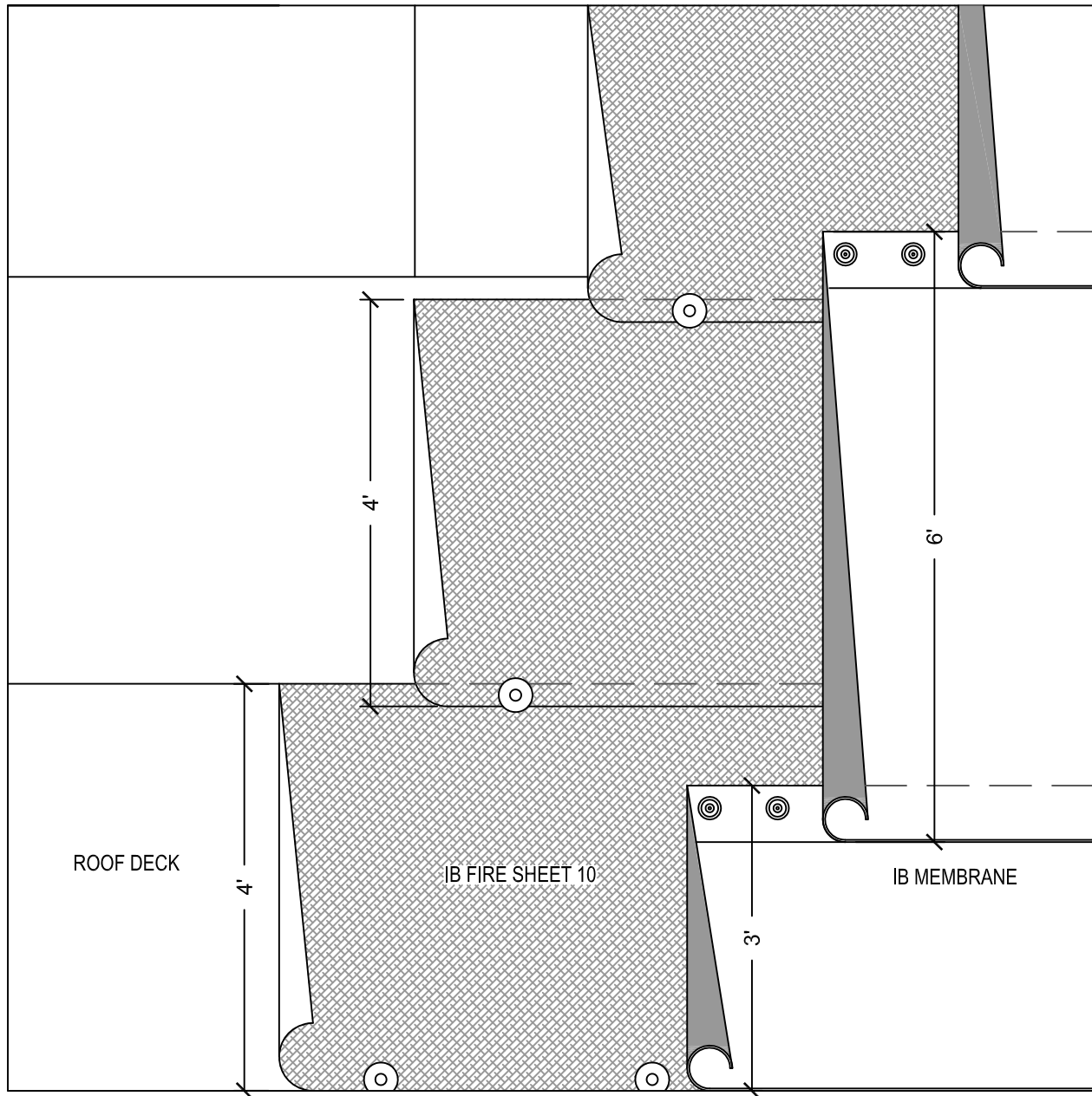


APPROVED RIGID EPS, XPS, POLYISOCYANURATE INSULATION & COVER BOARD
(IB FASTENERS & 3" INSULATION PLATES: 4 PER 4' X 4' BOARD)

NOTES:

1. FASTENING PATTERNS ARE PROVIDED AS GENERAL GUIDELINES FOR FASTENER PLACEMENT FOR MECHANICALLY ATTACHED INSULATION AND COVER BOARD.
2. AN IB SEPARATION SHEET IS REQUIRED FOR EPS & XPS INSULATIONS NOT APPROVED BY IB ROOF SYSTEMS.

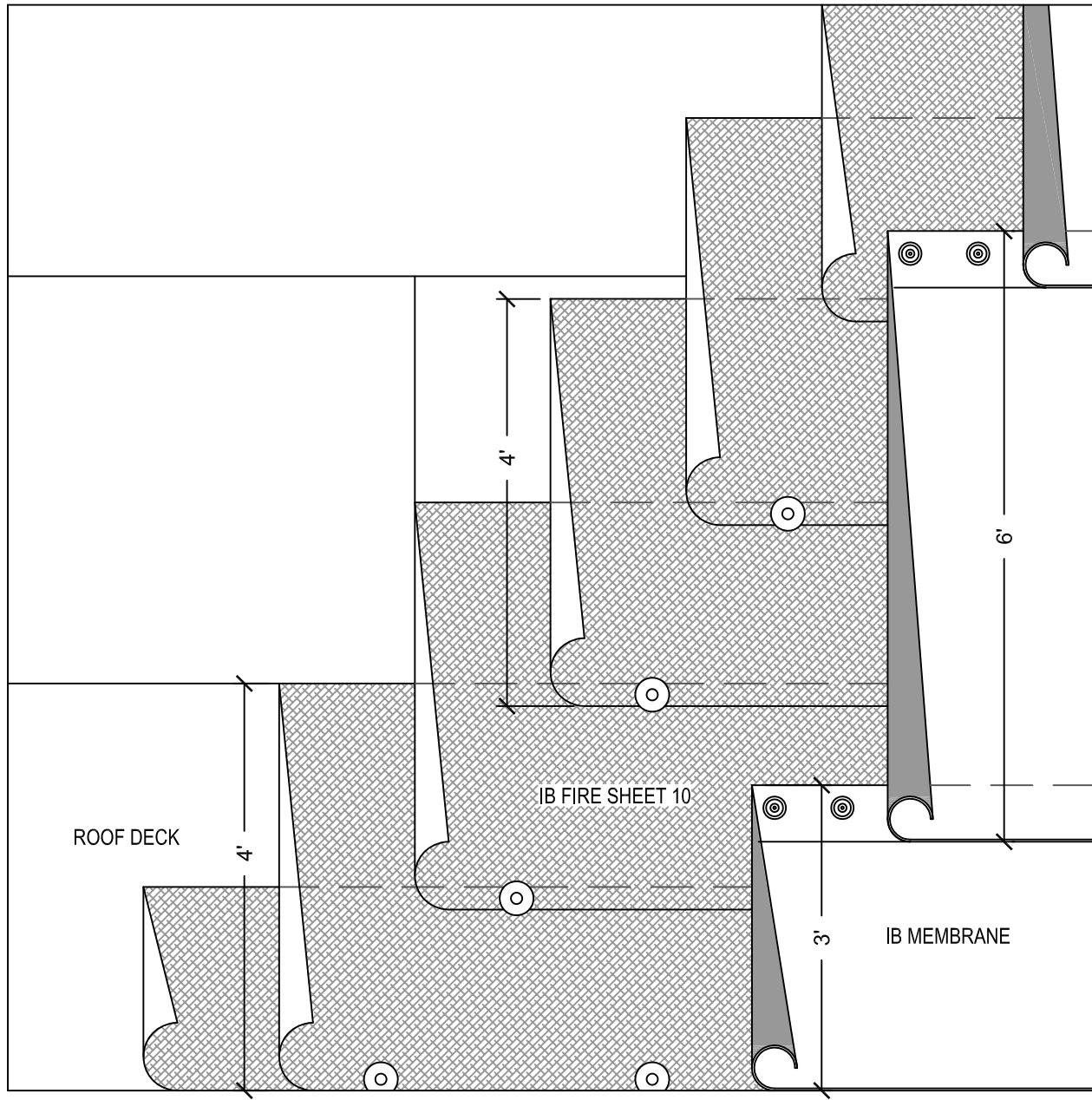
Scale: NTS	Detail Name: <i>Fastening Patterns for Insulation / Cover Board</i>	Detail Number: <i>MA-AT-02</i>
Submitted By: Address: Telephone:		Project: Address:



NOTES:

1. FIRE SHEETS ARE TO BE PRELIMINARILY ATTACHED TO THE ROOF DECK WITH IB FASTENERS & 3" INSULATION PLATES.

<p>Scale: NTS</p>	<p>Detail Name: <i>Single Layer Fire Sheet Layout</i></p>	<p>Detail Number: <i>MA-AT-03</i></p>
<p>Submitted By: Address: Telephone:</p>		<p>Project: Address:</p>

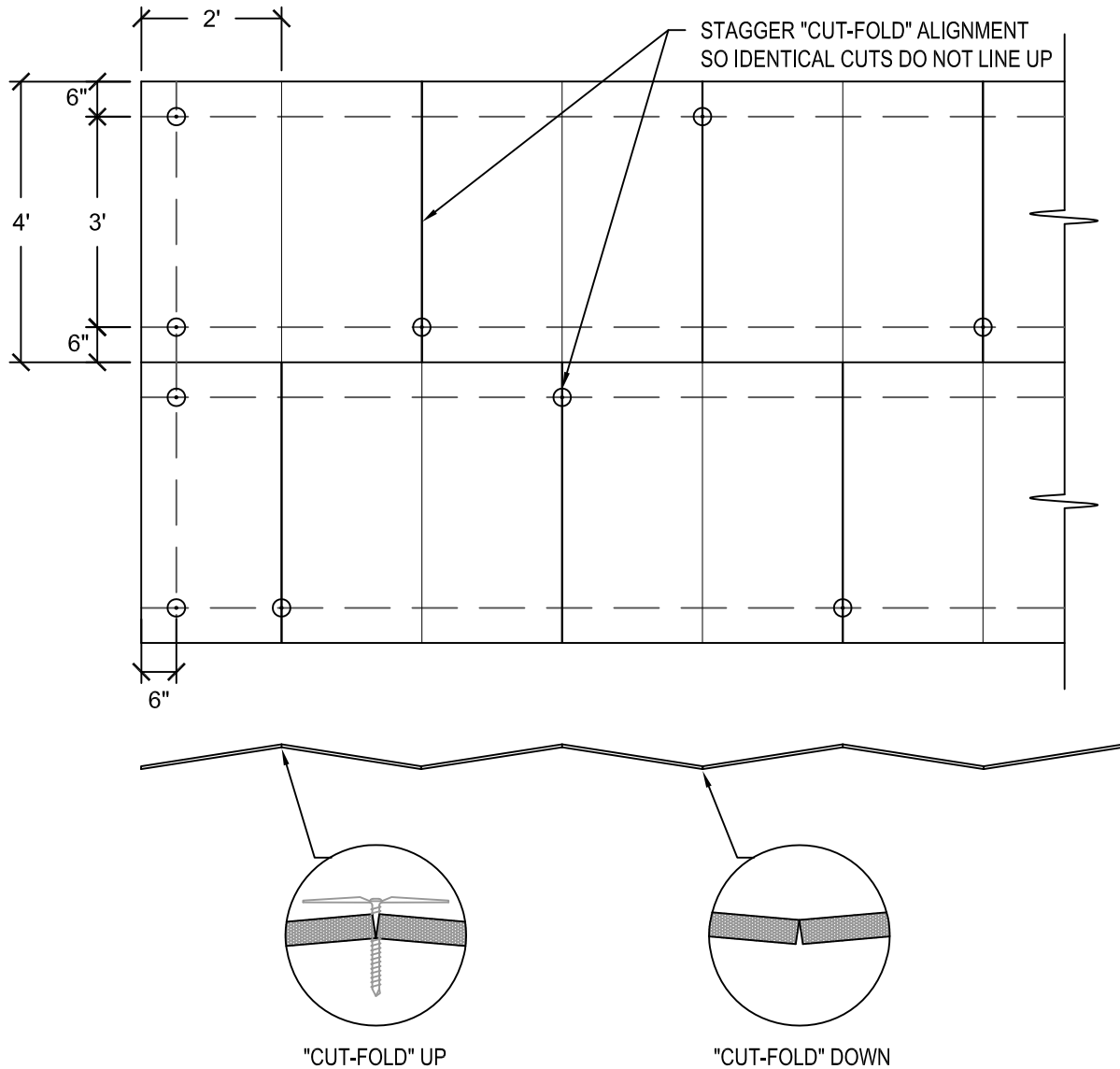


NOTES:

1. FIRE SHEETS ARE TO BE PRELIMINARILY ATTACHED TO THE ROOF DECK WITH IB FASTENERS & 3" INSULATION PLATES.

<p>Scale: NTS</p>	<p>Detail Name: Double Layer Fire Sheet Layout</p>	<p>Detail Number: MA-AT-04</p>
-----------------------	---	---

<p>Submitted By: Address: Telephone:</p>	<p>Project: Address:</p>
--	------------------------------

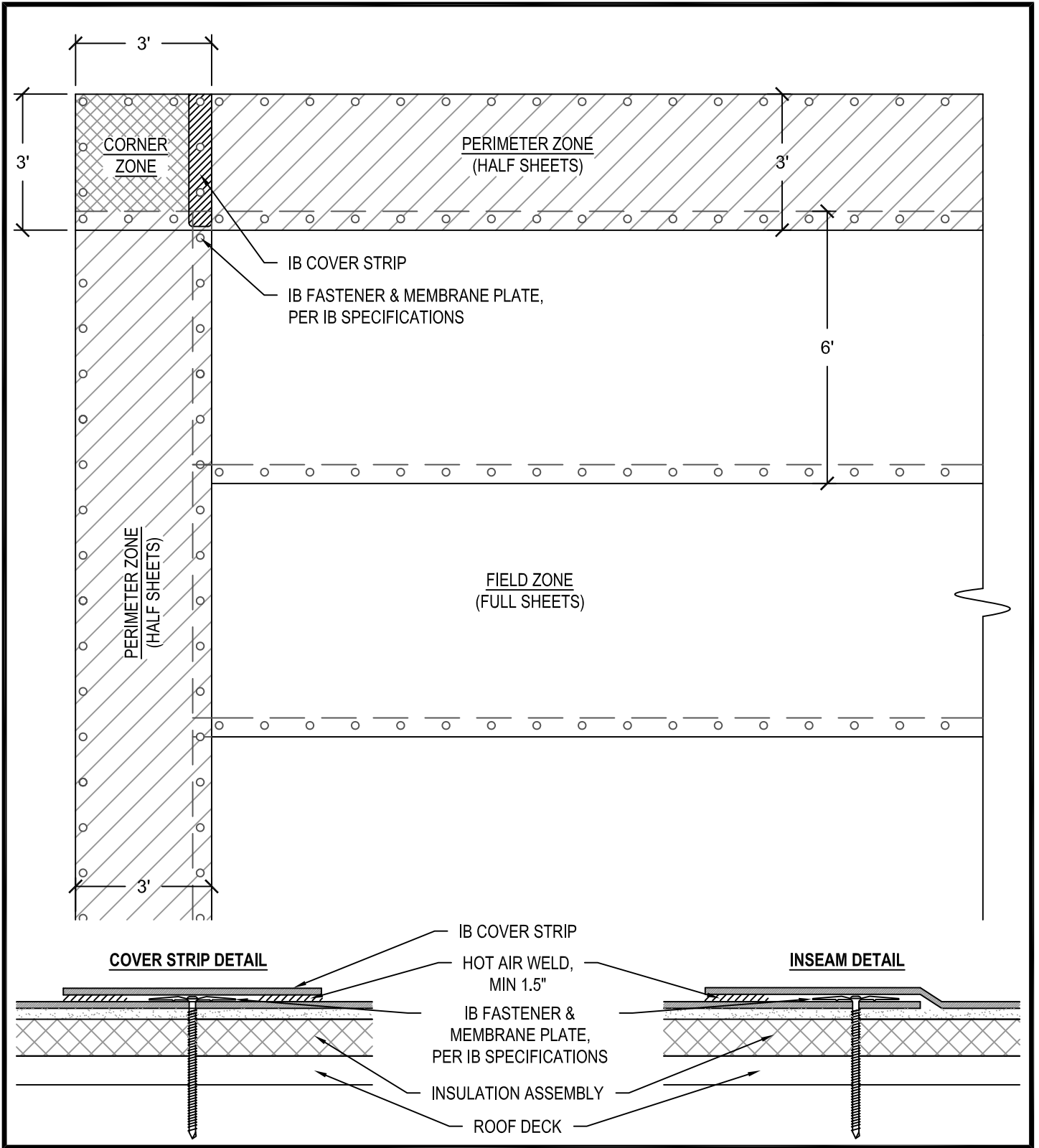


APPROVED EPS FAN-FOLD INSULATION
(IB FASTENERS & 3" INSULATION PLATES: 1 PER 12 SQ FT)

NOTES:

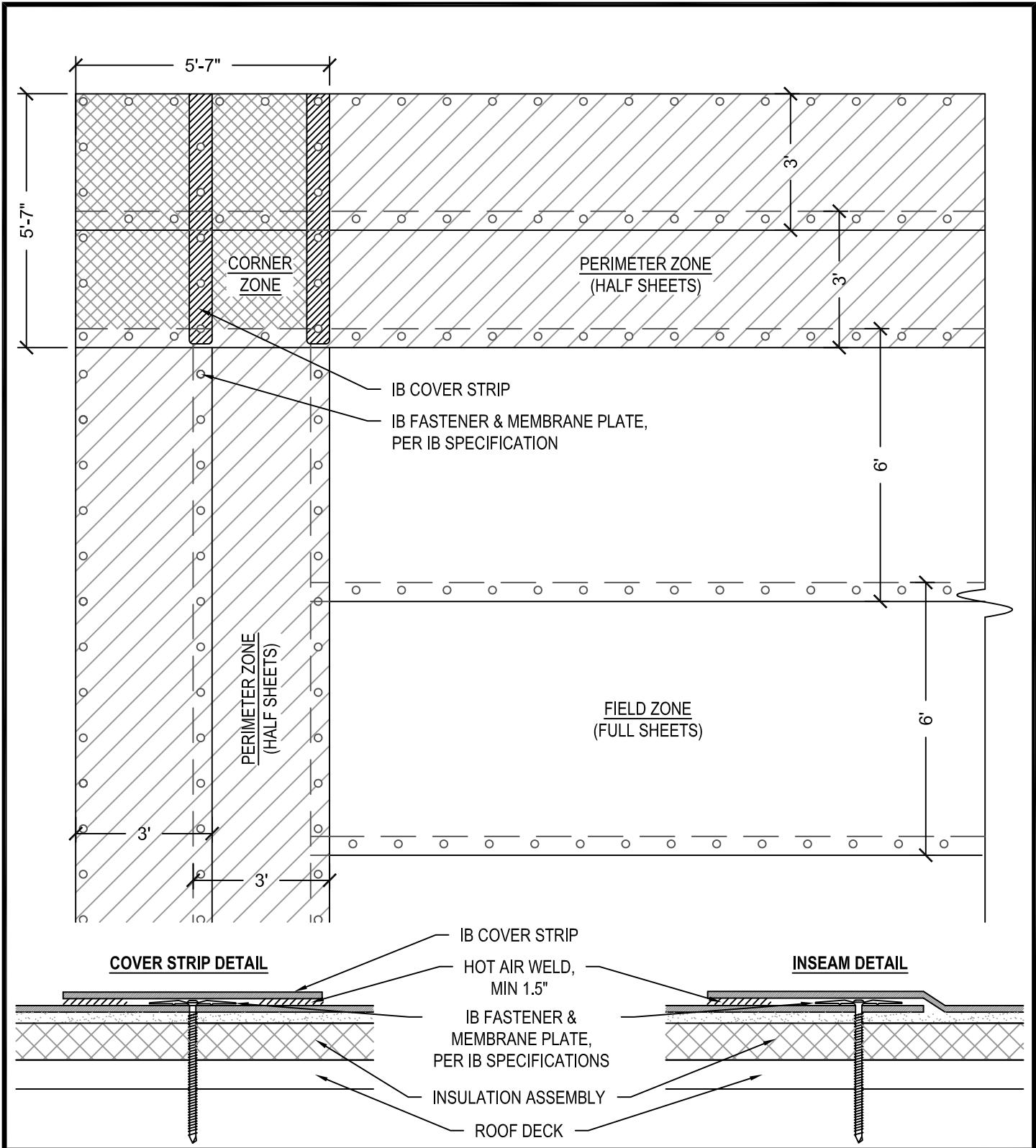
1. AN IB SEPARATION SHEET IS REQUIRED FOR EPS FAN-FOLD INSULATIONS NOT APPROVED OR SUPPLIED BY IB ROOF SYSTEMS.

Scale: NTS	Detail Name: Fastening Patterns for EPS Fan-Fold	Detail Number: MA-AT-05
Submitted By: Address: Telephone:		Project: Address:



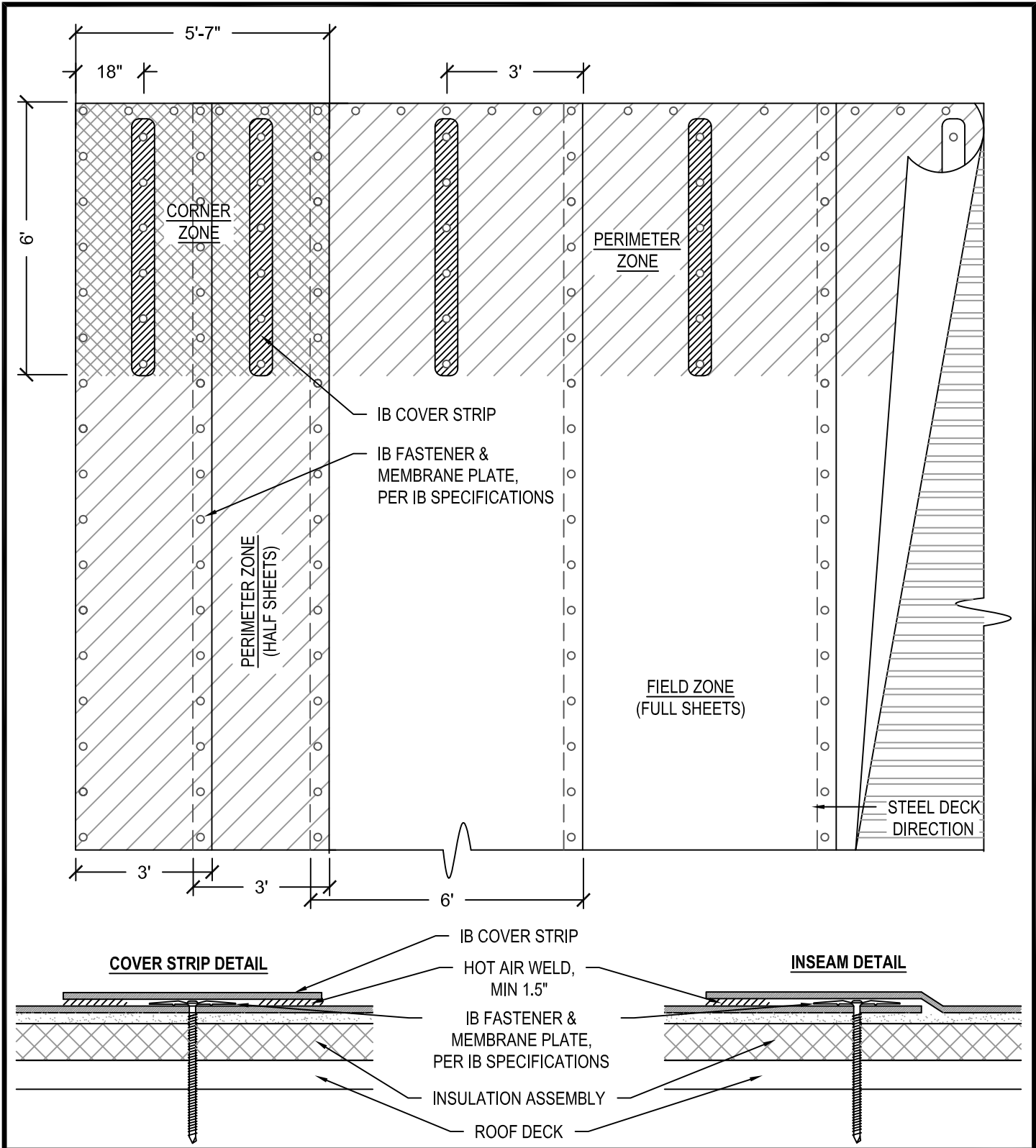
Scale: NTS	Detail Name: One Half Sheet Layout	Detail Number: MA-AT-06
----------------------	---	--

Submitted By: Address: Telephone:	Project: Address:
--	-----------------------------



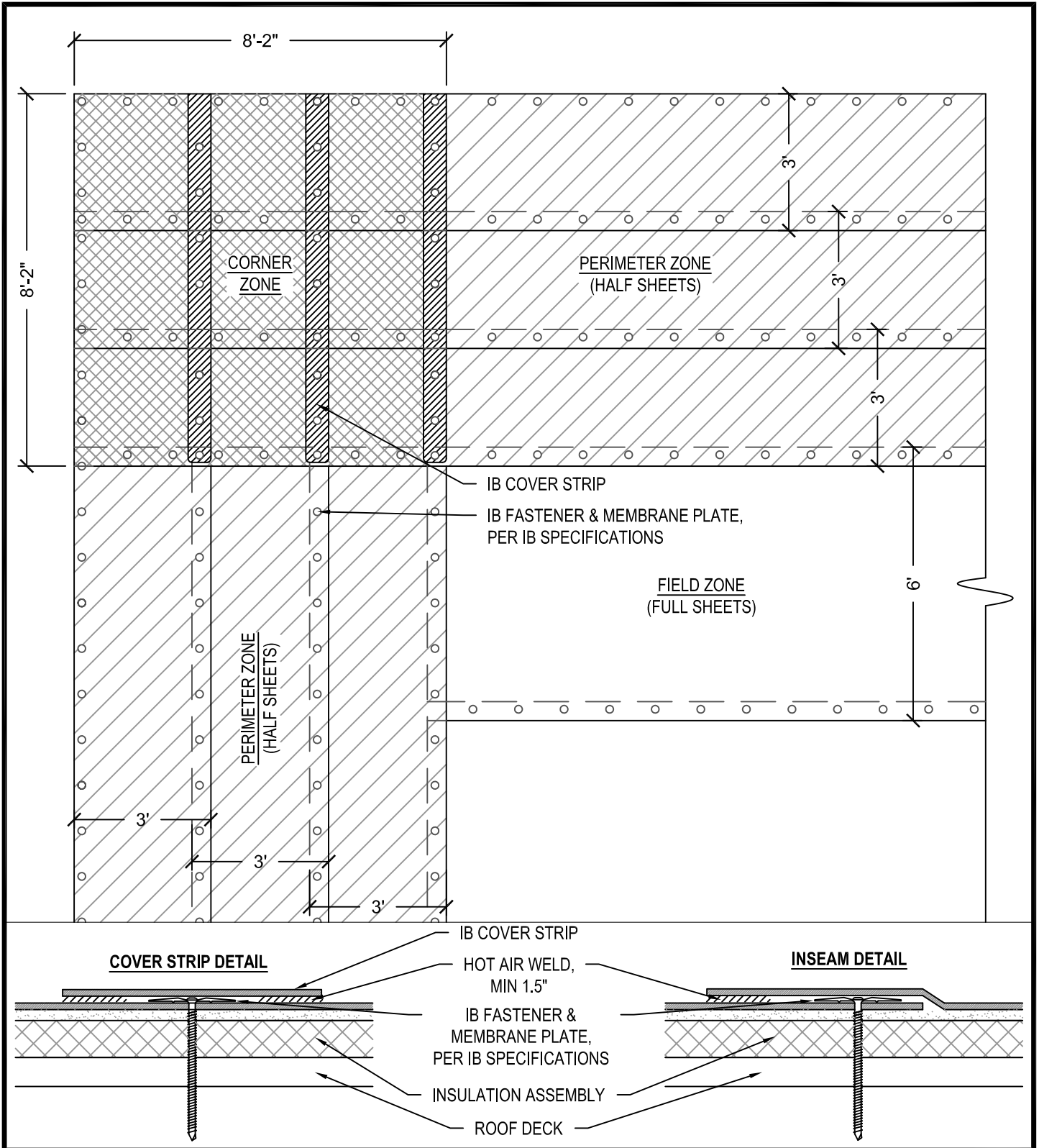
Scale: NTS	Detail Name: Two Half Sheet Layout	Detail Number: MA-AT-07
----------------------	---	--

Submitted By: Address: Telephone:	Project: Address:
--	-----------------------------



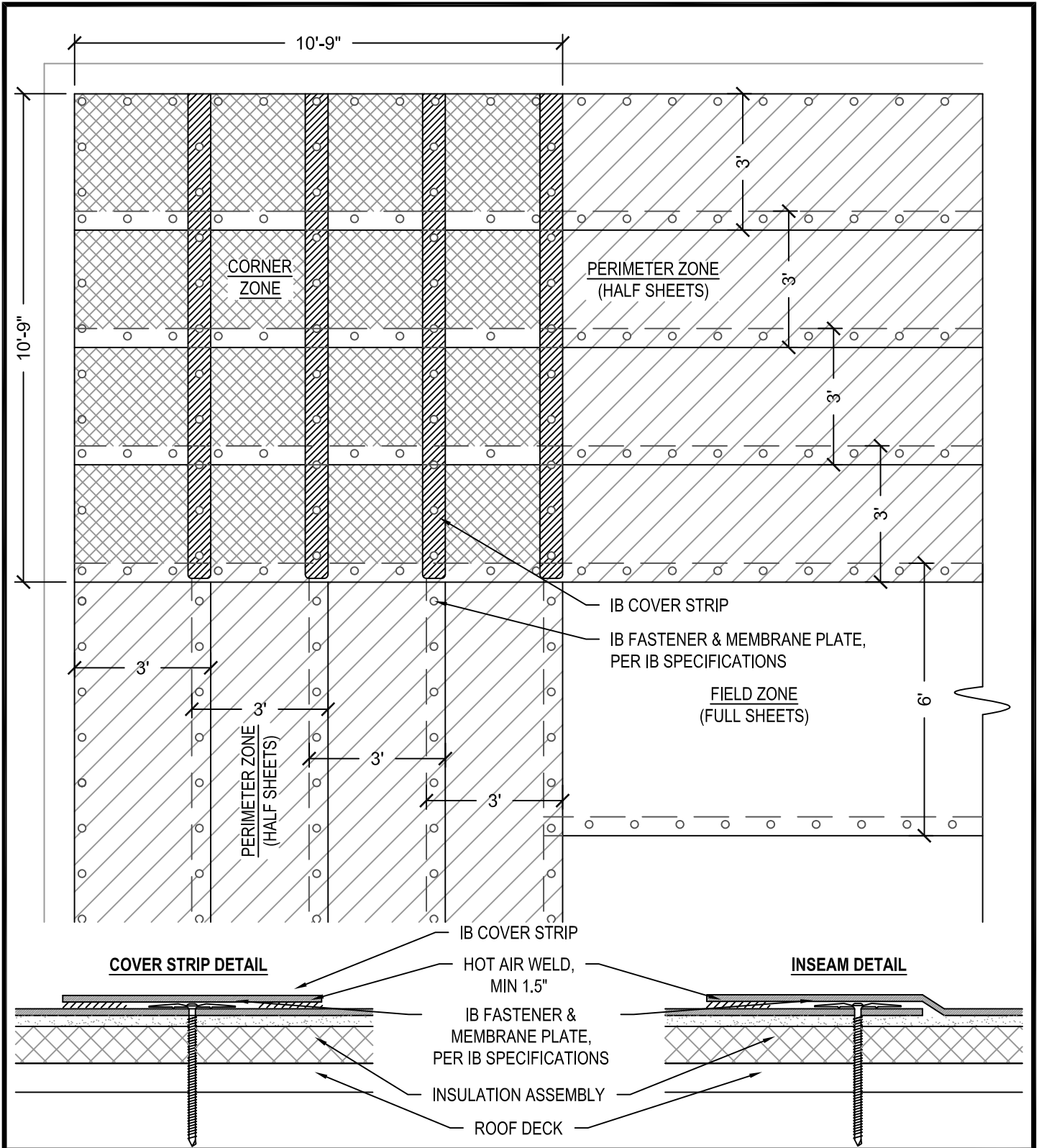
Scale: NTS	Detail Name: Two Half Sheet Layout FM - Steel Deck	Detail Number: MA-AT-08
---------------	--	-----------------------------------

Submitted By: Address: Telephone:	Project: Address:
---	----------------------



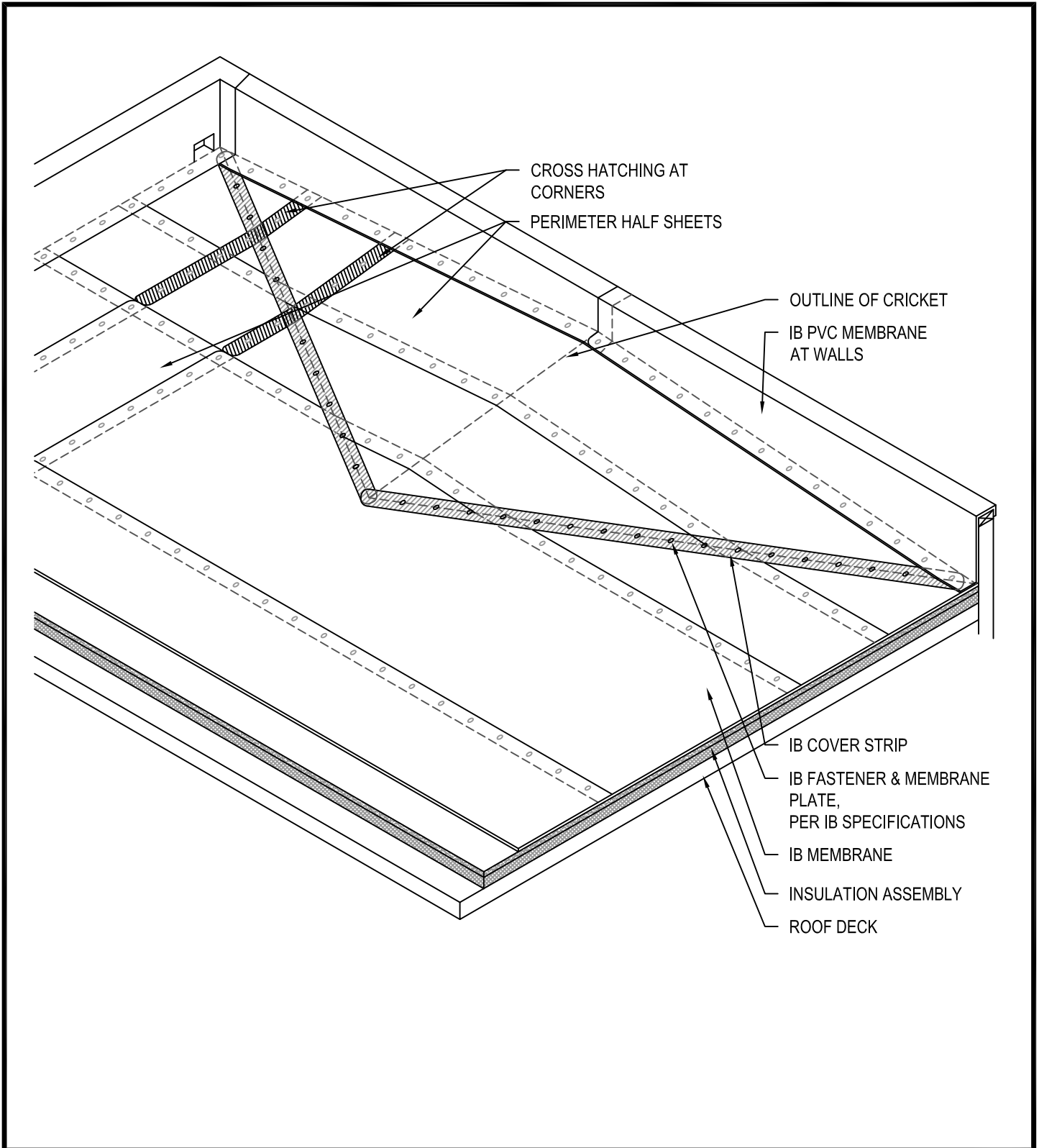
Scale: NTS	Detail Name: Three Half Sheet Layout	Detail Number: MA-AT-09
----------------------	---	--

Submitted By: Address: Telephone:	Project: Address:
--	-----------------------------



Scale: NTS	Detail Name: Four Half Sheet Layout	Detail Number: MA-AT-10
---------------	---	-----------------------------------

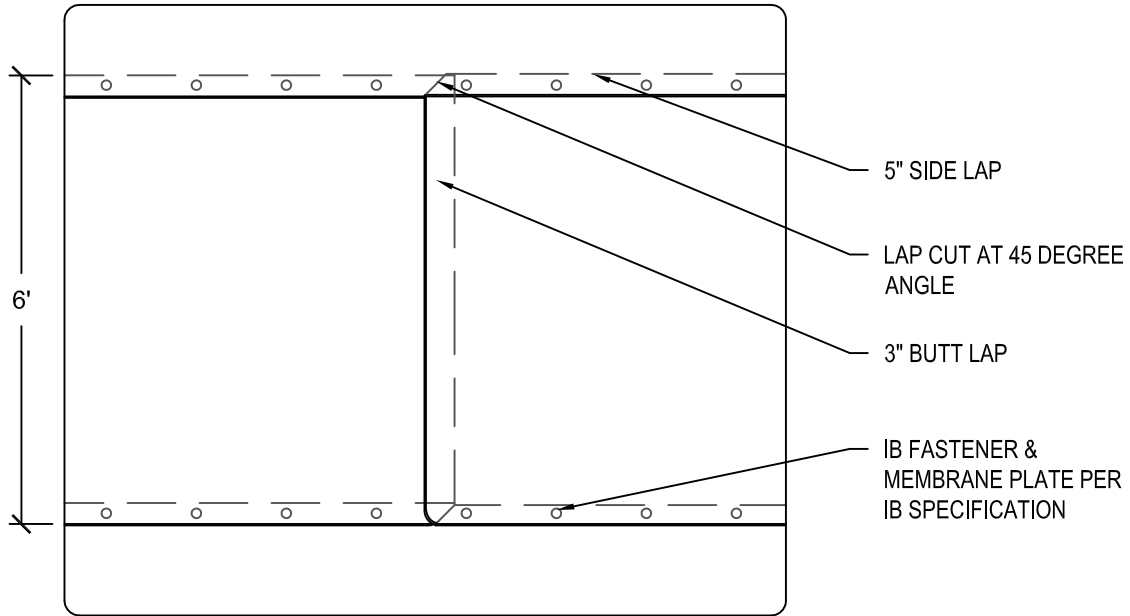
Submitted By: Address: Telephone:	Project: Address:
---	----------------------



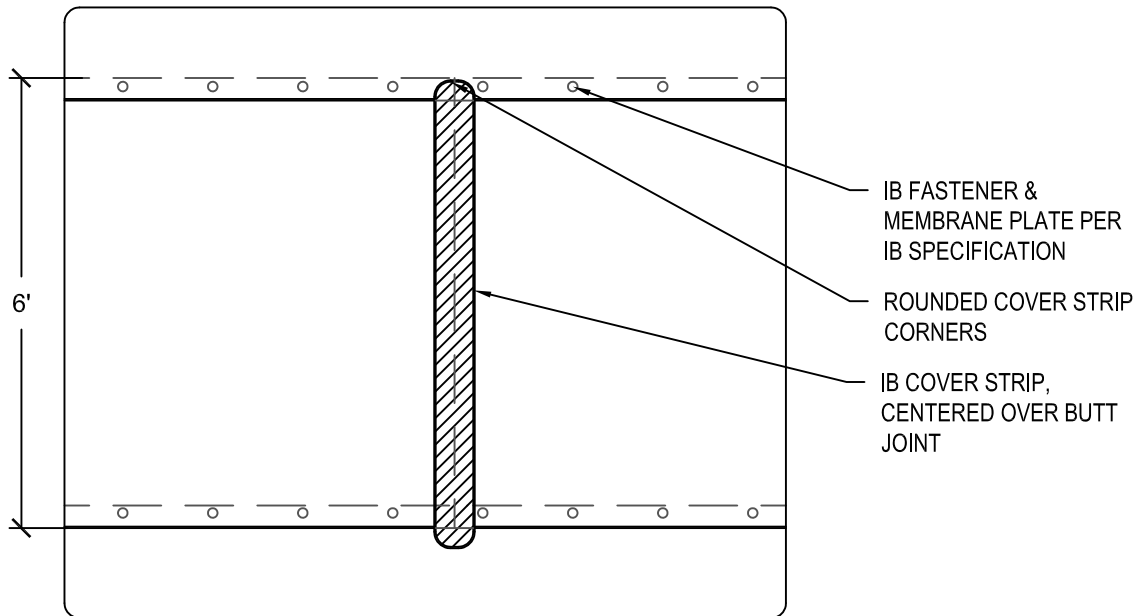
<p>Scale: NTS</p>	<p>Detail Name: Membrane Cricket Layout</p>	<p>Detail Number: MA-AT-11</p>
-----------------------	--	---

<p>Submitted By: Address: Telephone:</p>	<p>Project: Address:</p>
--	------------------------------

IB MEMBRANE END LAPS



IB FLEECEBACK MEMBRANE END LAPS



NOTE:

1. REFER TO IB ROUND T-JOINT PATCH DETAIL FOR IB 80 MIL PVC SINGLE-PLY MEMBRANE

<p>Scale: NTS</p>	<p>Detail Name: Membrane End Laps for Mechanically Attached Membrane</p>	<p>Detail Number: MA-AT-12</p>
<p>Submitted By: Address: Telephone:</p>		<p>Project: Address:</p>