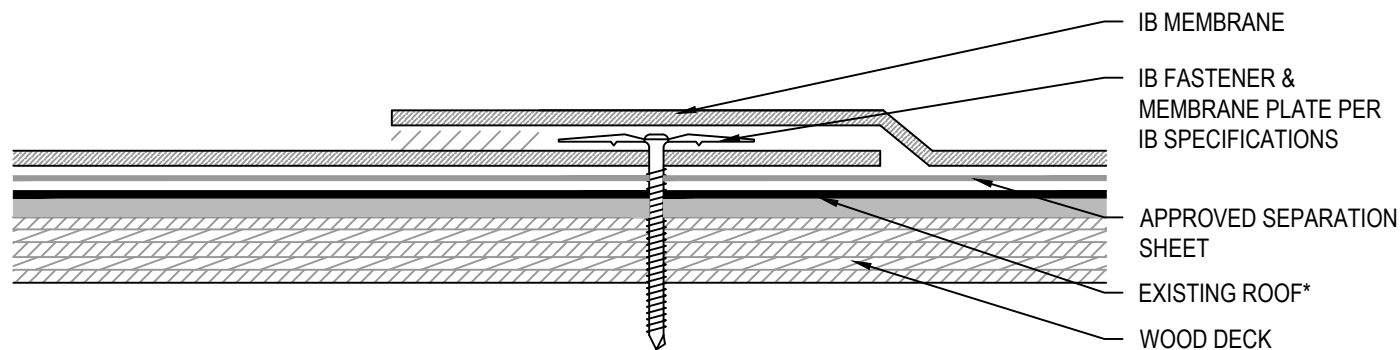


Mechanically Attached Membrane - Separator Sheet - Existing Roof - Wood Deck (Recover)



Fire Rating / Max. Slope	Deck Type	Separation Sheet (over Existing Roof)		IB Membrane		Max. Design Pressure**
		Type	Attachment	Fasteners	Attachment	
<input type="checkbox"/> Not Rated	7/16" OSB	Approved Separation Sheet	IB SD #12, IB 3" Insulation Plate (Preliminarily Attached)	IB HD #14 or IB XHD #15, IB 2" Barbed Seam Plate	In-Seam 6" o.c. x 67"	Minimum Req. for IB Warranty
<input type="checkbox"/> Not Rated	1/2" Plywood	Approved Separation Sheet	IB SD #12, IB 3" Insulation Plate (Preliminarily Attached)	IB HD #14 or IB XHD #15, IB 2" Barbed Seam Plate	In-Seam 12" o.c. x 67"	Minimum Req. for IB Warranty
<input type="checkbox"/> Not Rated	5/8" OSB	Approved Separation Sheet	IB SD #12, IB 3" Insulation Plate (Preliminarily Attached)	IB HD #14 or IB XHD #15, IB 2" Barbed Seam Plate	In-Seam 12" o.c. x 67"	Minimum Req. for IB Warranty
<input type="checkbox"/> Not Rated	1/2" Plywood	Approved Separation Sheet	IB SD #12, IB 3" Insulation Plate (Preliminarily Attached)	IB HD #14, IB 2" Barbed Seam Plate	In-Seam 6" o.c. x 67"	-37.5 psf (Class 75)
<input type="checkbox"/> Not Rated	5/8" Plywood	Approved Separation Sheet	IB SD #12, IB 3" Insulation Plate (Preliminarily Attached)	IB HD #14, IB 2" Barbed Seam Plate	In-Seam 12" o.c. x 67"	-30.0 psf (Class 60)
<input type="checkbox"/> Not Rated	5/8" Plywood	Approved Separation Sheet	IB SD #12, IB 3" Insulation Plate (Preliminarily Attached)	IB XHD #15, IB 2-3/8" Barbed Seam Plate	In-Seam 6" o.c. x 67"	-67.5 psf (Class 135)
<input type="checkbox"/> Not Rated	5/8" Plywood	Approved Separation Sheet	IB SD #12, IB 3" Insulation Plate (Preliminarily Attached)	IB XHD #15, IB 2-3/8" Barbed Seam Plate	In-Seam 6" o.c. x 31"	-127.5 psf (Class 255)

Approved Separation Sheet: IB Separator Sheet, IB Poly Separator Sheet, IB HD Poly Separator Sheet.

* **Existing Roof:** SBS or APP modified, or oxidized asphalt smooth coated, mineral surfaced roofing system.

** Refer to Substrate Resistance table for required pull-out values.

For additional information about IB Roof Systems requirements, recommendations, installation details, approvals and limitations for the above-assemblies, please refer to the latest edition of the IB Roof Systems Specifications Manual. For Technical Services please contact us at 800-426-1626.

Membranes:	Colors:	Warranties:	Warranty Lengths:
<input type="checkbox"/> 50 mil Membrane	<input type="checkbox"/> White* <input type="checkbox"/> Cool Sand* <input type="checkbox"/> ChemGuard*	<input type="checkbox"/> Total System (NDL)	<input type="checkbox"/> 10 yr (50, 60, and 80 mil)
<input type="checkbox"/> 60 mil Membrane	<input type="checkbox"/> Gray <input type="checkbox"/> Green <input type="checkbox"/> Red	<input type="checkbox"/> Warranty Plus	<input type="checkbox"/> 15 yr (50, 60, and 80 mil)
<input type="checkbox"/> 80 mil Membrane	<input type="checkbox"/> Tan <input type="checkbox"/> Brown <input type="checkbox"/> Custom: _____	<input type="checkbox"/> Commercial Limited Material	<input type="checkbox"/> 20 yr (60 and 80 mil)
	* Meets CRRC, Title-24, & EnergyStar Standards	<input type="checkbox"/> Lifetime Residential Limited Material	<input type="checkbox"/> 25 yr (80 mil)

Submitted By:

Address:
Telephone:

Project Name:

Address:

