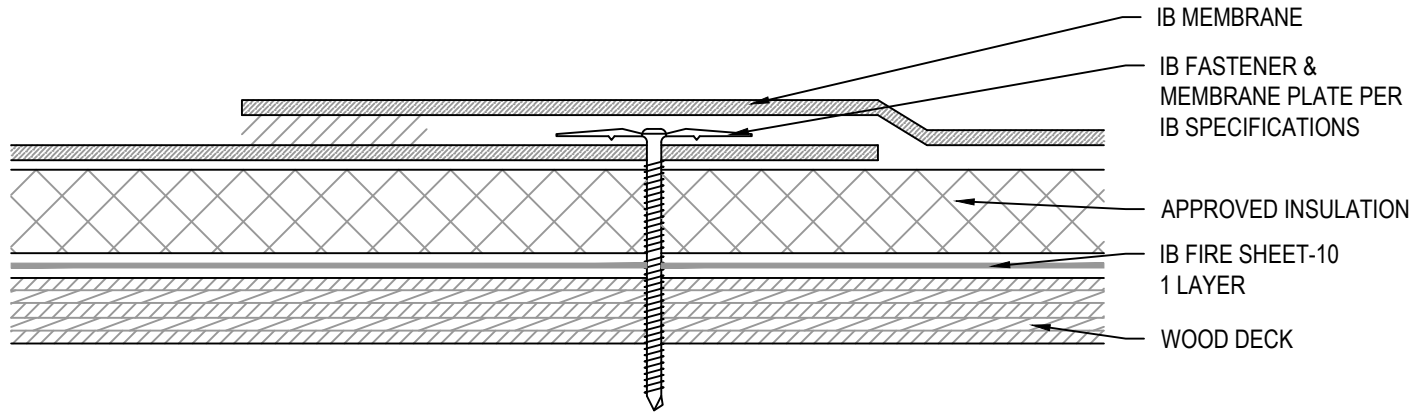


### Mechanically Attached Membrane - Insulation - 1 Layer Fire Sheet - Wood Deck (New or Tear-Off)



| Fire Rating / Max. Slope                      | Deck Type    | Insulation / Fire Sheet                |   | IB Membrane                                      |                        | Max. Design Pressure**       |
|---|--------------|--|---|--|------------------------|------------------------------|
|   |              | Type                                   | Attachment  | Fasteners  | Attachment             |                              |
| <input type="checkbox"/> Class 'B' 1/2" : 12" | 7/16" OSB    | Approved Insulation & IB Fire Sheet-10 | IB SD #12, IB 3" Insulation Plate (6 per 4' x 8') | IB HD #14 or IB XHD #15, IB 2" Barbed Seam Plate | In-Seam 6" o.c. x 67"  | Minimum Req. for IB Warranty |
| <input type="checkbox"/> Class 'B' 1/2" : 12" | 1/2" Plywood | Approved Insulation & IB Fire Sheet-10 | IB SD #12, IB 3" Insulation Plate (6 per 4' x 8') | IB HD #14 or IB XHD #15, IB 2" Barbed Seam Plate | In-Seam 12" o.c. x 67" | Minimum Req. for IB Warranty |
| <input type="checkbox"/> Class 'B' 1/2" : 12" | 5/8" OSB     | Approved Insulation & IB Fire Sheet-10 | IB SD #12, IB 3" Insulation Plate (6 per 4' x 8') | IB HD #14 or IB XHD #15, IB 2" Barbed Seam Plate | In-Seam 12" o.c. x 67" | Minimum Req. for IB Warranty |
| <input type="checkbox"/> Class 'B' 1/2" : 12" | 1/2" Plywood | Approved Insulation & IB Fire Sheet-10 | IB SD #12, IB 3" Insulation Plate (6 per 4' x 8') | IB HD #14, IB 2" Barbed Seam Plate               | In-Seam 6" o.c. x 67"  | -37.5 psf (Class 75)         |
| <input type="checkbox"/> Class 'B' 1/2" : 12" | 5/8" Plywood | Approved Insulation & IB Fire Sheet-10 | IB SD #12, IB 3" Insulation Plate (6 per 4' x 8') | IB HD #14, IB 2" Barbed Seam Plate               | In-Seam 12" o.c. x 67" | -30.0 psf (Class 60)         |
| <input type="checkbox"/> Class 'B' 1/2" : 12" | 5/8" Plywood | Approved Insulation & IB Fire Sheet-10 | IB SD #12, IB 3" Insulation Plate (6 per 4' x 8') | IB XHD #15, IB 2-3/8" Barbed Seam Plate          | In-Seam 6" o.c. x 67"  | -67.5 psf (Class 135)        |
| <input type="checkbox"/> Class 'B' 1/2" : 12" | 5/8" Plywood | Approved Insulation & IB Fire Sheet-10 | IB SD #12, IB 3" Insulation Plate (6 per 4' x 8') | IB XHD #15, IB 2-3/8" Barbed Seam Plate          | In-Seam 6" o.c. x 31"  | -127.5 psf (Class 255)       |

**Approved Insulation:** IB Energy Board II & III or IB Approved UL Classified Polyisocyanurate Insulation.

\*\* Refer to Substrate Resistance table for required pull-out values.

For additional information about IB Roof Systems requirements, recommendations, installation details, approvals and limitations for the above assemblies, please refer to the latest edition of the IB Roof Systems Specifications Manual. For Technical Services please contact us at 800-426-1626.

| Membranes:                               | Colors:   | Warranties:  | Warranty Lengths:                                   |
|--|---|--|---|
| <input type="checkbox"/> 50 Mil Membrane | <input type="checkbox"/> White* <input type="checkbox"/> Cool Sand* <input type="checkbox"/> ChemGuard* | <input type="checkbox"/> Total System (NDL)                    | <input type="checkbox"/> 10 yr (50, 60, and 80 mil) |
| <input type="checkbox"/> 60 Mil Membrane | <input type="checkbox"/> Gray <input type="checkbox"/> Green <input type="checkbox"/> Red               | <input type="checkbox"/> Warranty Plus                         | <input type="checkbox"/> 15 yr (50, 60, and 80 mil) |
| <input type="checkbox"/> 80 Mil Membrane | <input type="checkbox"/> Tan <input type="checkbox"/> Brown <input type="checkbox"/> Custom: _____      | <input type="checkbox"/> Commercial Limited Material           | <input type="checkbox"/> 20 yr (60 and 80 mil)      |
|  | * Meets CRRC, Title-24, & EnergyStar Standards  | <input type="checkbox"/> Lifetime Residential Limited Material | <input type="checkbox"/> 25 yr (80 mil)             |

**Submitted By:**  
 Address:  
 Telephone:

**Project Name:**  
 Address:

