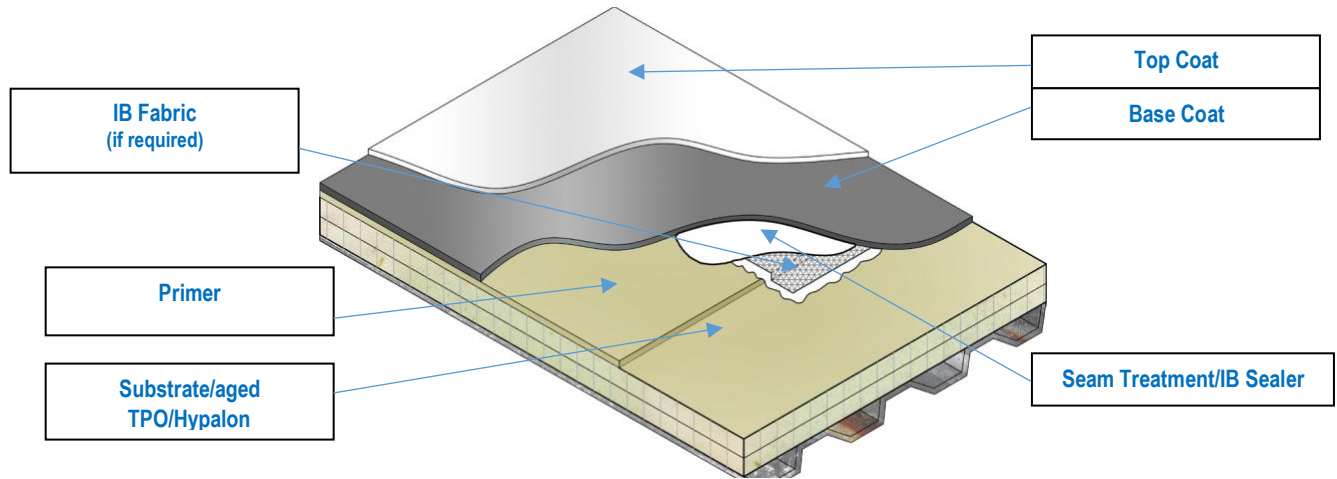







IB Acrylic HT Top Coat – Acrylic Base Coat – Existing Roof – aged TPO/Hypalon Single Ply



Labor Steps	Step 1	Step 2	Step 3	Step 4	Step 5
	Clean Roof	Seam Treatment	Primer Coat	Base Coat	Reflective Coat
Product					

HT-EX-TP							
Spec #	Step 1	Step 2	Step 3	Step 4	Step 5	Required Dry Mil Thickness	Warranty Length
	Surface Preparation	Seam Treatment	Primer Coat	Base Coat	Reflective Coat*		
	IB Roof Cleaner Concentrate (diluted 9:1)	IB Sealer	IB TP Primer	IB Acrylic Pro or IB Acrylic HT	IB Acrylic HT		
HT-EX-TP-5	1 gal/150 sq. ft.	55 Wet Mils	0.5-1.0 gal/square	1.0 gal/square	1.0 gal/square	18	5 year
HT-EX-TP-10	1 gal/150 sq. ft.	55 Wet Mils	0.5-1.0 gal/square	1.0 gal/square	1.25 gal/square	20	10 year
HT-EX-TP-12	1 gal/150 sq. ft.	55 Wet Mils	0.5-1.0 gal/square	1.25 gal/square	1.5 gal/square	24	12 year
HT-EX-TP-15	1 gal/150 sq. ft.	55 Wet Mils	0.5-1.0 gal/square	1.75 gal/square	1.75 gal/square	30	15 year

*Acrylic HT coating may be applied in one (1) coat (single pass) up to 1.75 gal/square per pass. Where rate exceeds 1.75 gal/square, the coating shall be applied in two (2) coats (two passes).

For additional information about IB Roof Systems requirements, recommendations, installation details, approvals and limitations for the above assemblies, please refer to the latest edition of the IB Roof Systems Coating Specifications Manual. For Technical Services please contact us at 800-426-1626.

Note: Coverage rates may vary due to substrate porosity and/or irregularity of the roof surface.

Reflective Coating	Colors	Warranties
<input type="checkbox"/> IB Acrylic HT Coating (Reflective Coat)	<input type="checkbox"/> White <input type="checkbox"/> Tan <input type="checkbox"/> Gray	<input type="checkbox"/> Warranty Plus <input type="checkbox"/> Limited Material
Submitted By: Company: Email:		Project Name: Address: