

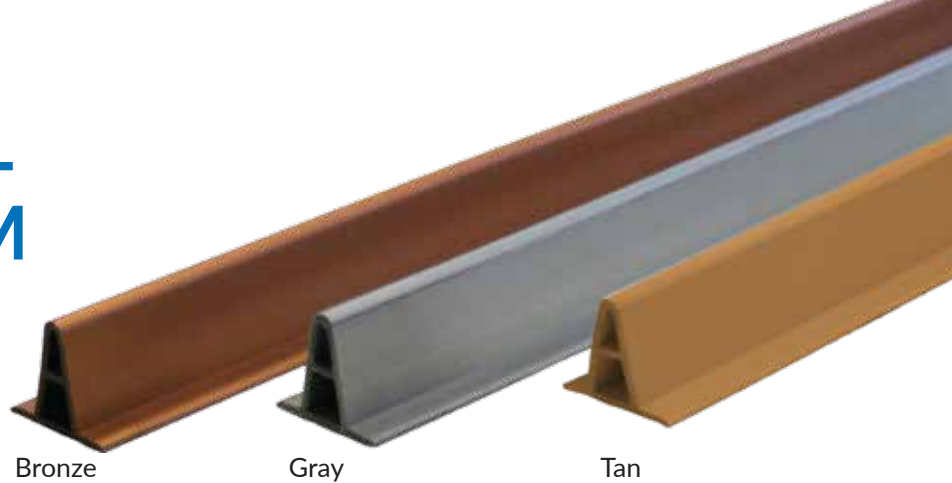
FLEXIBLE METAL PROFILE SYSTEM

PVC Simulated Standing Seam
Metal Roofing Systems

FLEXIBLE METAL PROFILE SYSTEM

IB Flexible Metal Profiles are specially designed to provide the aesthetic appeal of a standing seam metal roof. The IB Flexible Metal Profiles are constructed of high quality PVC polymers and plasticizers similar to what IB PVC membrane are made of and are designed and extrusion formed to enhance the look of an IB Roof.

Inherent flexibility provides maximum versatility in adapting to a variety of flat, radius, and curved substrates. IB Flexible Metal Profiles are installed utilizing hot air welding techniques in accordance with IB's installation guidelines and are available in a all of IB's standard PVC colors.



Available Colors



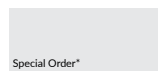
Tan



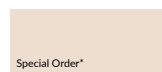
Gray



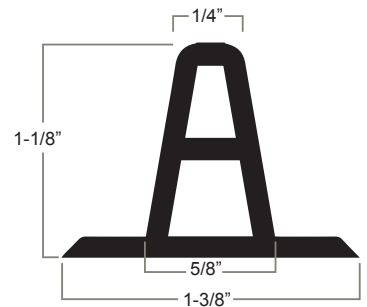
Bronze



Special Order*
Cool Stone



Special Order*
Cool Sand



* These colors match IB Roof Systems PVC membranes to make a color matched roof finish.

Packaging:

35 per box

Weight:

2.0 LB per Profile (70 #/box)

Product Specs:

Flexible Metal Profiles are 10' feet in length

Profile height is 1-1/8"

Rib profile is 1/4" wide at top and 5/8" wide at base

Base flange width is 1-3/8"

Use:

IB Flexible Metal Profiles are sold as accessory products used in conjunction with select IB PVC and GR Class membranes. For approved substrates, installation and IB membrane requirements please refer to IB Specifications and Construction Details or contact IB Technical Services Department.

DiscovertheDifference.com

IBroof.com

IB Roof Systems
PVC and Fluid Applied Roofing Solutions

800.426.1626
506 East Dallas Road, Suite 300
Grapevine, TX 76051